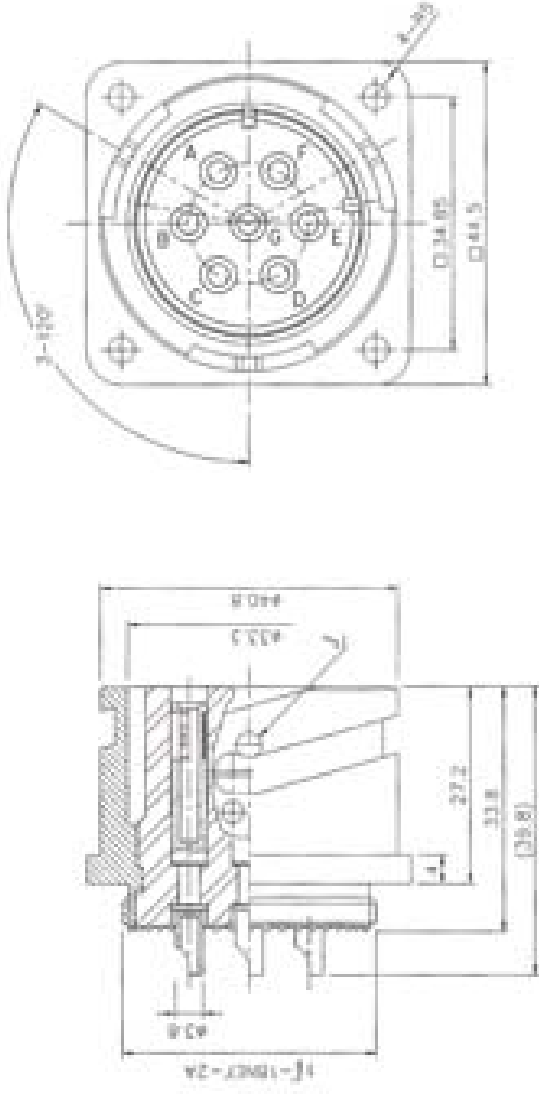


WPS-2407-SF



No. ELECTRICAL SPECIFICATIONS

1	Operating Voltage (V)	DC: 700	AC(rms): 500
2	Withstanding Voltage	AC: 2000V	One minute
3	Test Current	22 Amperes	
4	Insulation Resistance	5000MΩ min. AT	DC: 500V